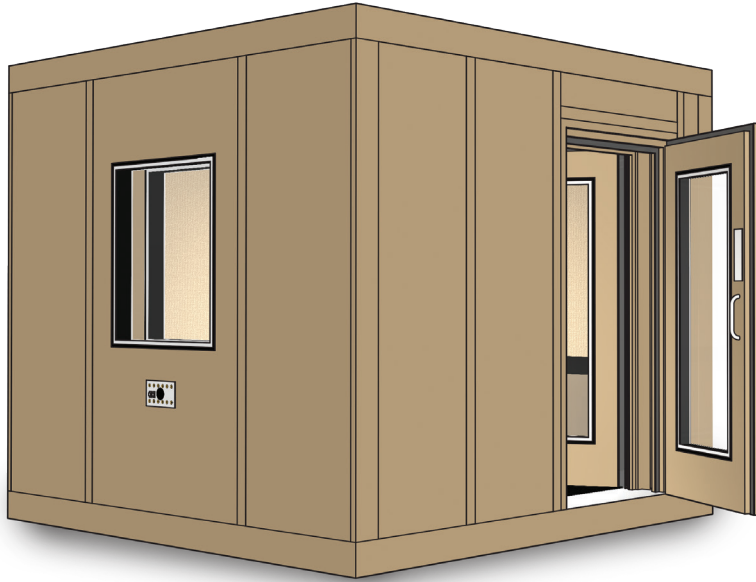




# Data Sheet

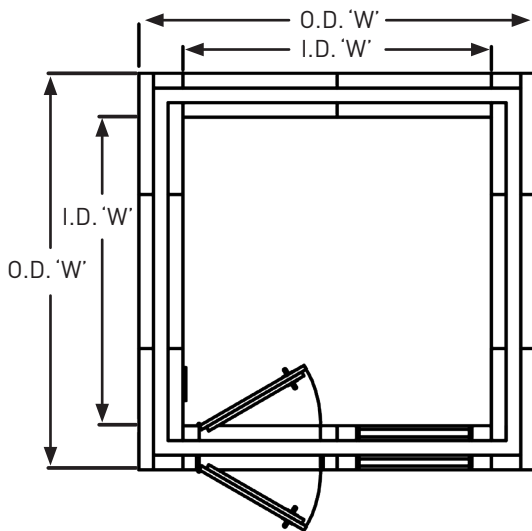
## 120a Series Double-Wall Audiometric Booth



The **120a Series Double-Wall** (room-within-a-room) construction is two housings constructed of 4" thick modular panels, separated by a four inch air space, complete with carpeted vibration isolated floor, space-saver roof mounted ventilation, recessed electrical, Noise-Lock® doors and double glazed windows, audiometric jack panels acoustically matched and shipped ready for field assembly.

- NIC 70

### Typical Plan



Model No.	Inside Dimension ft-in x ft-in x ft-in					Outside Dimension ft-in x ft-in x ft-in					Weight (lbs)
	L	x	W	x	D	L	x	W	x	H	
120a-1	3-6	x	4-4	x	6-6	5-6	x	6-4	x	8-1	3120
120a-2	6-2	x	6-2	x	6-6	8-2	x	8-2	x	8-1	5088
120a-3	7-0	x	7-0	x	6-6	9-0	x	9-0	x	8-1	5858
120a-4	8-6	x	8-6	x	6-6	10-6	x	10-6	x	8-1	7373
120a-5	9-10	x	9-4	x	6-6	11-10	x	11-4	x	8-1	8611





# Data Sheet

## 120a Series Double-Wall Audiometric Booth



### Total Estimated Design Weight:

See table on page 1

### Panel Construction:

Noise-Lock® V (interior walls), Noise-Lock® IV (exterior walls), Noise-Lock® VI (interior ceiling) and Noise-Lock® IV (exterior ceiling)

### Panel Size:

Maximum panel size to be determined by customer for adequate site access

### Interior Surfaces:

22ga. galvanized perforated steel

### Exterior Surfaces:

14ga. cold rolled solid steel

### Floor Interior Surface:

11ga. hot rolled steel

### Finish:

Textured powder coated

### Door:

(2) 2'-9" wide x 6'-1½" high clear opening cam-lift splitframe with push plate and pull handles

### Note:

- Dimensions locating door are shown to the clear opening
- Noise-Lock® STC-51 inswing/outswing or double outswing
- Dust seal to be provided within air space around doors and windows. Sill angle to be provided between doors.

### Window:

(2) 2'-6" wide x 2'-10" high aluminum frame double glazed with ¼" thick laminated safety glass (width reduced on smaller models)

### Booth Vibration Isolation:

Vibration isolator rails to be provided below floor panels

### Electrical:

- 120V recessed LED light fixture
- 120V toggle switch for fans and lights
- 120V duplex receptacle

### Note:

- Customer to provide 110V, 60Hz, 20 amp power to roof mounted quad receptacle power cord
- All electrical is wired per 2002 national electric code
- Booth is factory UL certified and labeled
- (Lot) boxes, connectors, etc. as required for complete installation.

### Audiometric Jack Panel Comprised of:

- (12) Switchcraft three-wire phone-type jacks
- (2) USB ports
- (1) 2" ID passthrough hole with cover

### Booth Options:

#### Ventilation:

Integrated SpaceSaver exhaust/inlet air ceiling silencer panels and 120V, 60Hz, 14w fans or HVAC connection collars to connect to building system

#### Available Colors:

- Khaki Shade
- Polar Blue
- Limoge Cream
- Celedon
- First Star
- Pure White
- Kinetic Khaki
- Colony Blue
- Cinnamon Stick
- Jade Market
- Silver Plate
- Gray Primer

#### Floor Covering:

Nylon carpet, to match paint color selection with 3/8" thick underlayment and 2-1/2" H black cove base molding included

#### Site Requirements:

- Customer to provide a finished floor which is within +/- ¼" of level in 10 non-cumulative feet
- 2" minimum clearance is required between the exterior of testing booth and host facility walls/ceiling





# Accutone2 Series Audiometric Room Options



## Doors:

- Noise-Lock® double-glazed windows in door
  - 12" x 12" View Port
  - 16" x 24" Side Light
  - 20" x 60" Full Glass
- Additional & oversized doors including double leaf
- Wood veneered door finishes
- Mortised type, lever handle, recessed key locks
- Door closers



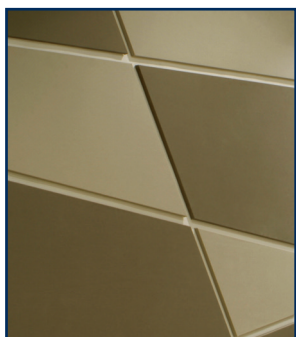
## Optional Equipment:

- One-way Noise-Lock® glass
- One-way Noise-Lock® glass on sliding rails
- RF & electromagnetic shielding
- Special jack-panels
- Pass throughs
- Fire rated outer walls and doors



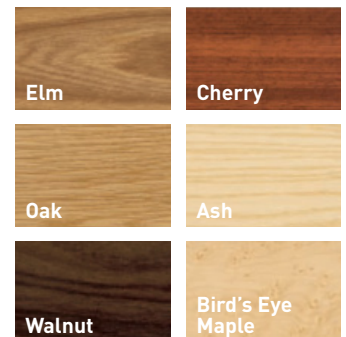
## Standard Enhancement Packages:

- Enhancement packages available with choice of fabric & liner colors
- Paneling & carpeting in 5 colors
- Absorptive & aesthetic fabric top paneling
- Space-enhancing chair-rail
- Edge-smoothing corner panels



## Exterior Enhancement Packages:

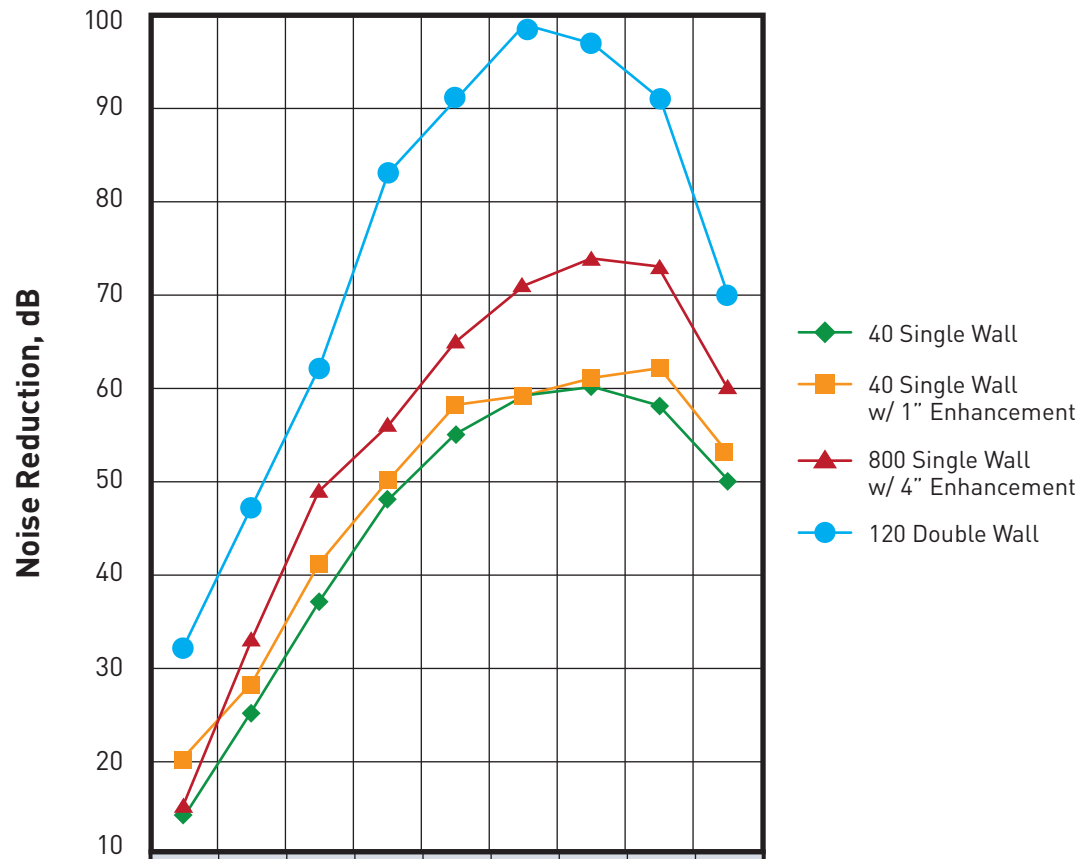
- Exterior enhancement packages available with WoodTrends by Sound Seal
- Aesthetically pleasing finishes that show off the beauty of real wood
- Available in a variety of popular as well as exotic wood veneer species (additional veneer options available upon request)





**AccuTone<sup>2</sup>** Enhanced Performance Audiometric Series

**Room Noise Reduction**



	63	125	250	500	1K	2K	4K	8K	NIC
◆ 40 Single Wall	14	25	37	48	55	59	60	58	50
■ 40 Single Wall w/ 1" Enhancement	20	28	41	50	58	59	61	62	53
▲ 800 Single Wall w/ 4" Enhancement	15	33	49	56	65	71	74	73	60
● 120 Double Wall	32	47	62	83	91	99	97	91	70

**Octave Band Center Frequency, Hz**

